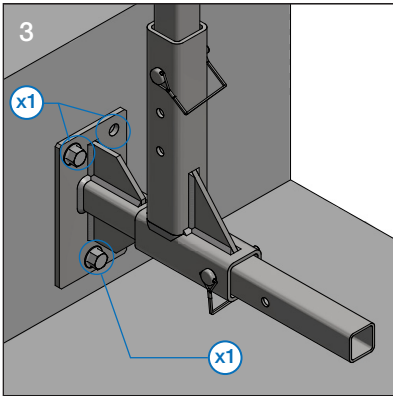
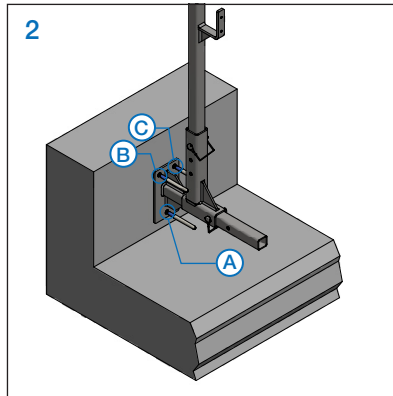
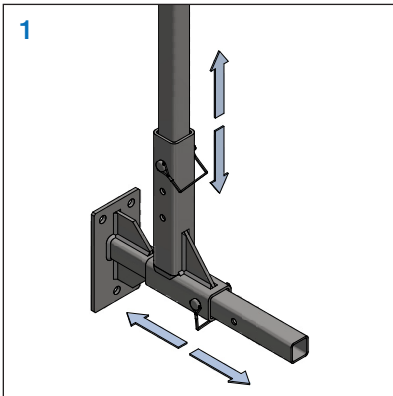
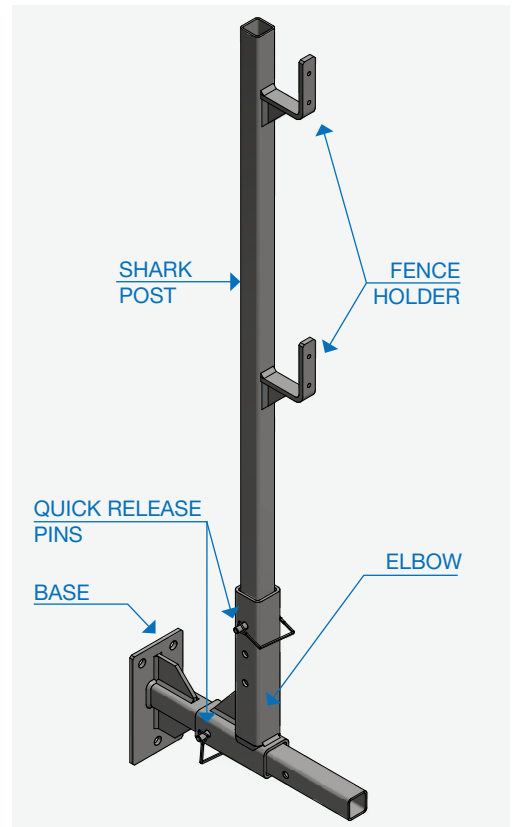


**INSTALLATION**



**ANCHOR OPTIONS:**  
 - Hilti Quick Bolt 3  
 - Red Head True Bolt  
 - Powers Power Stud  
 - Powers Wedge Bolt

**ANCHOR SIZE:**  
 - 3/8" (9.5 mm) diameter by 3 1/2" (89 mm) long anchor with a minimum embedment of 3" (75 mm)



**STEP 1**

Adjust the elbow and Parapet Post to accommodate the geometry of the parapet. Install the quick release pins to lock the base, elbow and Parapet Post.

Minimize the gap between the parapet edge and Parapet Post.

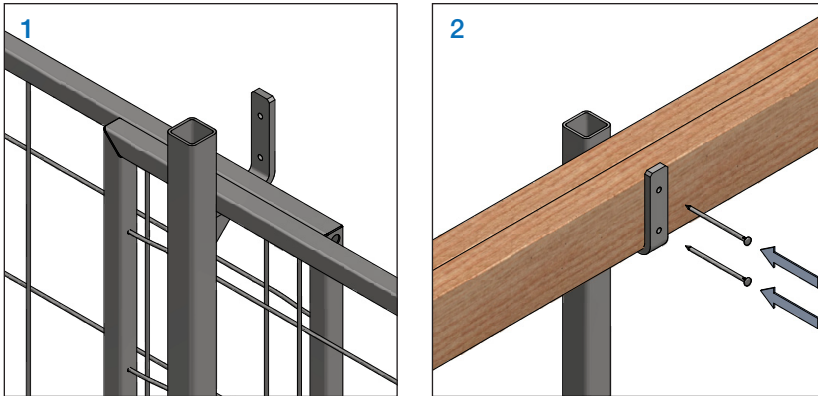
**STEP 2**

Position the Parapet Post against the parapet and mark the location of (1) anchor in hole "A". Ensure the post is plumb and mark the location of (1) additional anchor in either hole "B" or "C".

**STEP 3**

Drill and anchor the Parapet Post with an approved anchor as noted.

## RAILINGS



When all the steps are completed, the Parapet Post is ready for the Speed Fence or temporary guardrail to be installed  
Maximum spacing of Parapet Posts not to exceed 9' (2743 mm)

**WEIGHT: 28 lbs / 12.7 kg**

### OPTION 1

Connect the Speed Fence to the Fence Holder as per the Speed Fence installation instructions.

### OPTION 2

Slide 2 x 4 (38 mm x 89 mm) lumber through the Fence Holders and nail with (2) 2 ½" long common nails.

**ALWAYS REFER TO GENERAL SAFETY NOTES BEFORE INSTALLATION**

**SPEED**  **EDGE**

### FOR TECHNICAL ASSISTANCE:

info@speededge.ca  
905-857-9888  
speededge.ca