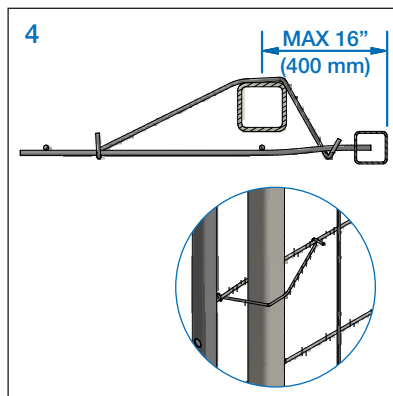
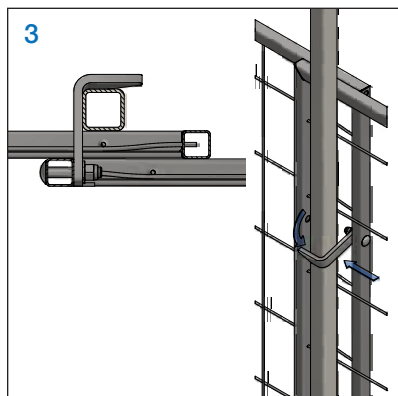
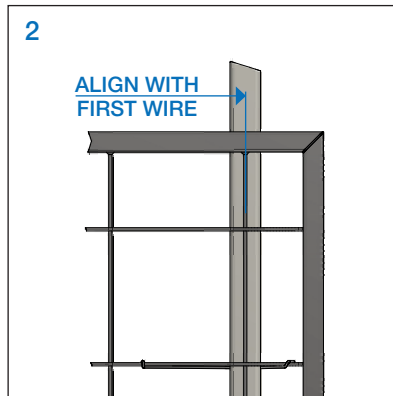
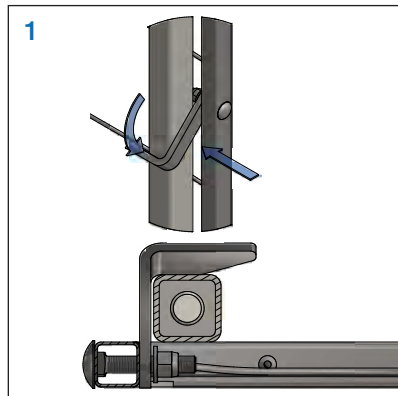


**INSTALLATION**

Maximum spacing of KF542 not to exceed 4'3" (1500 mm)

Maximum spacing of KF9642 not to exceed 9" (2743 mm)



**STEP 1**

Open the lock latch 90° to the Speed Fence and slide the Speed Fence against the post. Press down on the lock latch so that the Speed Fence is secured against the post.

**STEP 2**

Install the second post to the right side of the Speed Fence. Line up the post with the first vertical mesh wire of the Speed Fence mesh.

**STEP 3**

Repeat Steps 1 and 2. The lock latch must pass through the mesh of the first Speed Fence and sit against the second post.

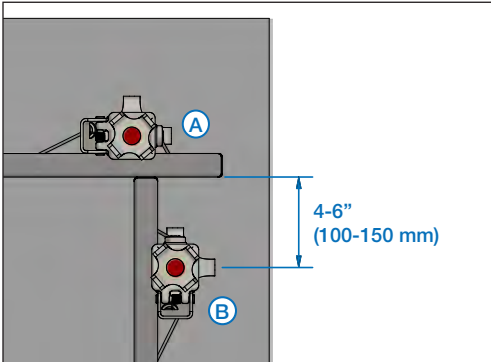
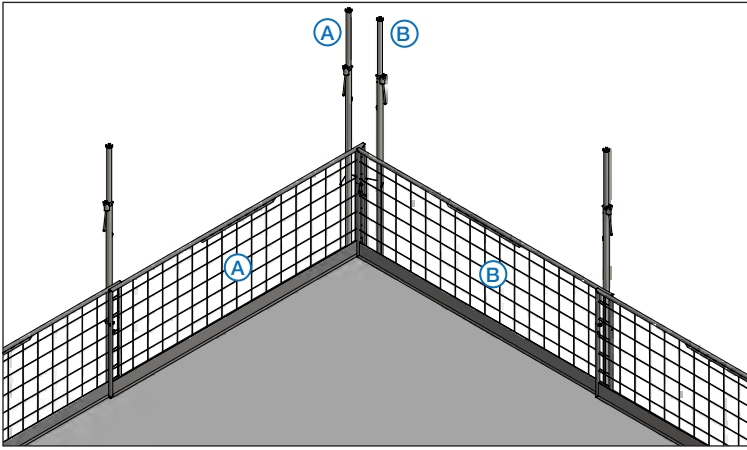
Press down on the lock latch to secure both Speed Fences to the second post and repeat as many times as required and ensure proper overlap.

**STEP 4**

The last post must be within 16" (400 mm) from the end of the last Speed Fence. To secure the Speed Fence to the last post, install Speed Wire or tie wire.

If a post cannot be secured with a Lock Latch, the post must be secured per the "Engineered & Approved Fence Connection Types".

## CORNER INSTALLATION



### STEP 1

Install the corner post "A" per Speed Post installation instructions.

Verify that the Speed Fence "A" extends beyond the last post per typical fence installation.

### STEP 2

Install corner post "B" 4-6" (100-150 mm) from the face of Speed Fence "A".

### STEP 3

Install Speed Fence "B" and butt end flush to Speed Fence "A" as shown.

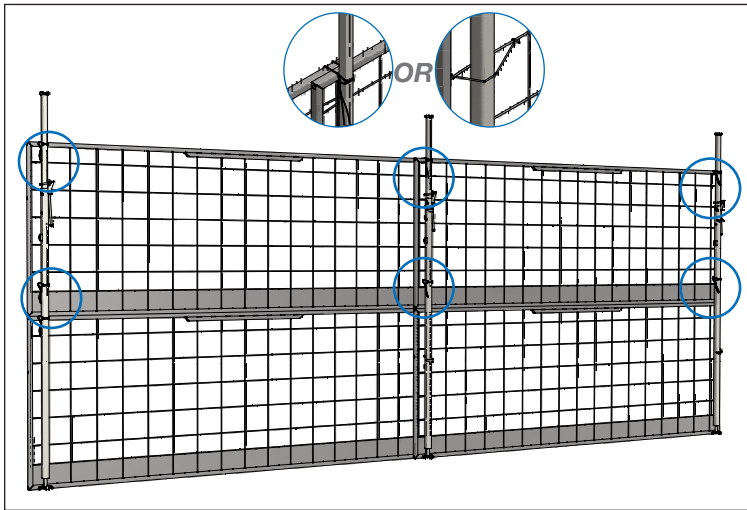
### STEP 4

To secure the Speed Fence to the last post, install Speed Wire or tie wire per the "Engineered & Approved Fence Connection Types".

### STEP 5

Continue Speed Fence installation as per Speed Fence Instructions.

## DOUBLE HEIGHT ARRANGEMENT



### STEP 1

Double height Speed Fence arrangement can only be installed with the Speed Post and the High Post.

### STEP 2

Install the Speed Fence as per the installation instructions.

### STEP 3

Install the second row directly on top of the first and ensure all the Lock Latches are proper engaged.

### STEP 4

Install tie wire per the "Engineered & Approved Fence Connection Types" at the locations shown in the illustration to the left. Each Speed Fence should be tied to each post.

**ALWAYS REFER TO GENERAL SAFETY NOTES BEFORE INSTALLATION**

**KF542**

**WEIGHT: 24.1 lbs / 11 kg**

**WIDTH: 4'9" / 1450 mm**

**HEIGHT: 42" / 1070 mm**

**KF9642**

**WEIGHT: 45 lbs / 20.5 kg**

**WIDTH: 9'6" / 2900 mm**

**HEIGHT: 42" / 1070 mm**

**SPEED**  **EDGE**

**FOR TECHNICAL ASSISTANCE:**

info@speededge.ca

905-857-9888

speededge.ca